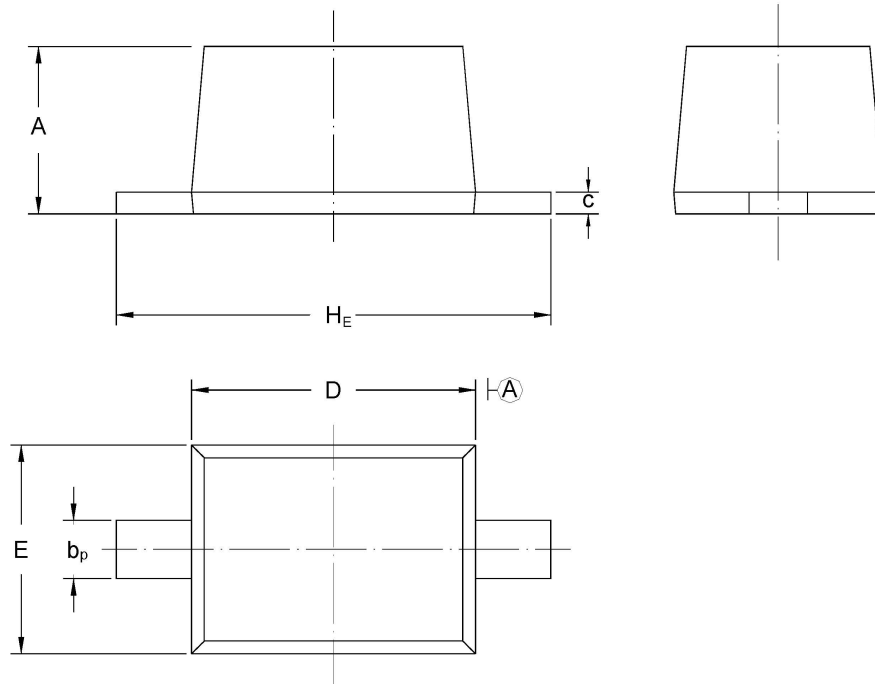


SOD-323 Package Outline (Flat Lead)

Plastic surface mounted package; 2 leads



UNIT	A	b_p	C	D	E	H_E
mm	1.10 0.80	0.40 0.25	0.15 0.10	1.80 1.60	1.35 1.15	2.80 2.30