

# MM1Z2V2B~MM1Z39B

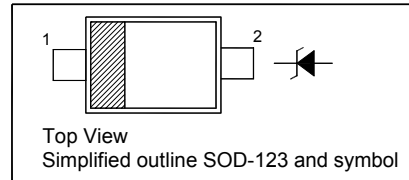
## SILICON PLANAR ZENER DIODES

### Features

- Total power dissipation: max. 500 mW
- Small plastic package suitable for surface mounted design
- High reliability

### PINNING

PIN	DESCRIPTION
1	Cathode
2	Anode



### Absolute Maximum Ratings ( $T_a = 25\text{ }^\circ\text{C}$ )

Parameter	Symbol	Value	Unit
Power Dissipation	$P_{tot}$	500	mW
Junction Temperature	$T_j$	150	$^\circ\text{C}$
Storage Temperature Range	$T_{Stg}$	- 55 to + 150	$^\circ\text{C}$

### Characteristics at $T_a = 25\text{ }^\circ\text{C}$

Parameter	Symbol	Max.	Unit
Thermal Resistance Junction to Ambient Air	$R_{thA}$	340	$^\circ\text{C/W}$
Forward Voltage at $I_F = 10\text{ mA}$	$V_F$	0.9	V

# MM1Z2V2B~MM1Z39B

## Characteristics at $T_a = 25\text{ }^\circ\text{C}$

Type	Marking Code	Zener Voltage Range <sup>1)</sup>			Dynamic Impedance <sup>2)</sup>		Reverse Leakage Current	
		$V_{znom}$ V	$I_{zT}$ mA	for $V_{zT}$ V	$Z_{zT}$ (Max.) $\Omega$	at $I_{zT}$ mA	$I_R$ (Max.) $\mu\text{A}$	at $V_R$ V
MM1Z2V2B	9B	2.2	5	2.1...2.4	100	5	120	0.7
MM1Z2V4B	9C	2.4	5	2.3...2.65	100	5	120	1
MM1Z2V7B	9D	2.7	5	2.65...2.95	110	5	120	1
MM1Z3V0B	9E	3.0	5	2.95...3.25	120	5	50	1
MM1Z3V3B	9F	3.3	5	3.25...3.55	120	5	20	1
MM1Z3V6B	9H	3.6	5	3.6...3.845	100	5	10	1
MM1Z3V9B	9J	3.9	5	3.89...4.16	100	5	5	1
MM1Z4V3B	9K	4.3	5	4.17...4.43	100	5	5	1
MM1Z4V7B	9M	4.7	5	4.55...4.75	100	5	2	1
MM1Z5V1B	9N	5.1	5	4.98...5.2	80	5	2	1.5
MM1Z5V6B	9P	5.6	5	5.49...5.73	60	5	1	2.5
MM1Z6V2B	9R	6.2	5	6.06...6.33	60	5	1	3
MM1Z6V8B	9X	6.8	5	6.65...6.93	40	5	0.5	3.5
MM1Z7V5B	9Y	7.5	5	7.28...7.6	30	5	0.5	4
MM1Z8V2B	9Z	8.2	5	8.02...8.36	30	5	0.5	5
MM1Z9V1B	0A	9.1	5	8.85...9.23	30	5	0.5	6
MM1Z10B	0B	10	5	9.77...10.21	30	5	0.1	7
MM1Z11B	0C	11	5	10.76...11.22	30	5	0.1	8
MM1Z12B	0D	12	5	11.74...12.24	30	5	0.1	9
MM1Z13B	0E	13	5	12.91...13.49	37	5	0.1	10
MM1Z15B	0F	15	5	14.34...14.98	42	5	0.1	11
MM1Z16B	0H	16	5	15.85...16.51	50	5	0.1	12
MM1Z18B	0J	18	5	17.56...18.35	65	5	0.1	13
MM1Z20B	0K	20	5	19.52...20.39	85	5	0.1	15
MM1Z22B	0M	22	5	21.54...22.47	100	5	0.1	17
MM1Z24B	0N	24	5	23.72...24.78	120	5	0.1	19
MM1Z27B	0P	27	5	26.19...27.53	150	5	0.1	21
MM1Z30B	0R	30	5	29.19...30.69	200	5	0.1	23
MM1Z33B	0X	33	5	32.15...33.79	250	5	0.1	25
MM1Z36B	0Y	36	5	35.07...36.87	300	5	0.1	27
MM1Z39B	0Z	39	5	37...41	100	5	2	30

<sup>1)</sup>  $V_z$  is tested with pulses(20 ms).

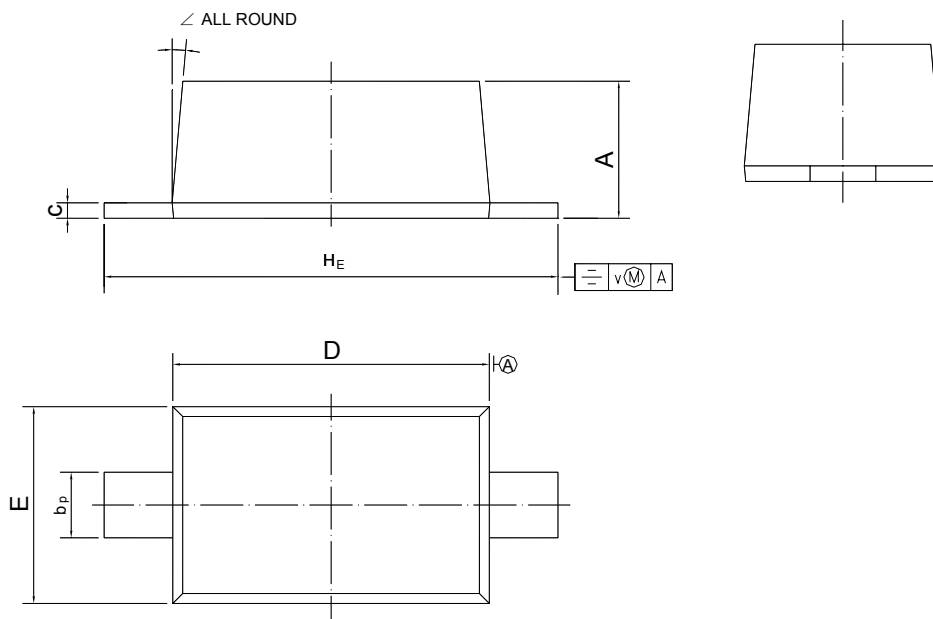
<sup>2)</sup>  $Z_{zT}$  is measured at  $I_z$  by given a very small A.C. current signal.

# MM1Z2V2B~MM1Z39B

## PACKAGE OUTLINE

Plastic surface mounted package; 2 leads

SOD-123



UNIT	A	$b_p$	c	D	E	$H_E$	v	$\angle$
mm	1.15 1.05	0.6 0.5	0.135 0.100	2.7 2.6	1.65 1.55	3.85 3.55	0.2	5°