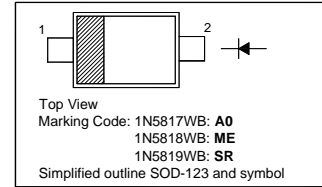


1N5817WB-1N5819WB

1 A SURFACE MOUNT SCHOTTKY BARRIER DIODE

PINNING

| PIN | DESCRIPTION |
|-----|-------------|
| 1 | Cathode |
| 2 | Anode |



Absolute Maximum Ratings ($T_a = 25\text{ }^\circ\text{C}$)

| Parameter | Symbol | Value | Unit |
|---|-----------|---------------|------------------|
| Reverse Voltage | V_R | 1N5817WB | 20 |
| | | 1N5818WB | 30 |
| | | 1N5819WB | 40 |
| Average Forward Rectified Current | I_O | 1 | A |
| Non-Repetitive Peak Forward Surge Current (8.3 ms Single Half Sine-Wave) | I_{FSM} | 25 | A |
| Power Dissipation | P_{tot} | 450 | mW |
| Operating Temperature Range | T_J | - 55 to + 150 | $^\circ\text{C}$ |
| Storage Temperature Range | T_{Stg} | - 55 to + 150 | $^\circ\text{C}$ |

Characteristics at $T_a = 25\text{ }^\circ\text{C}$

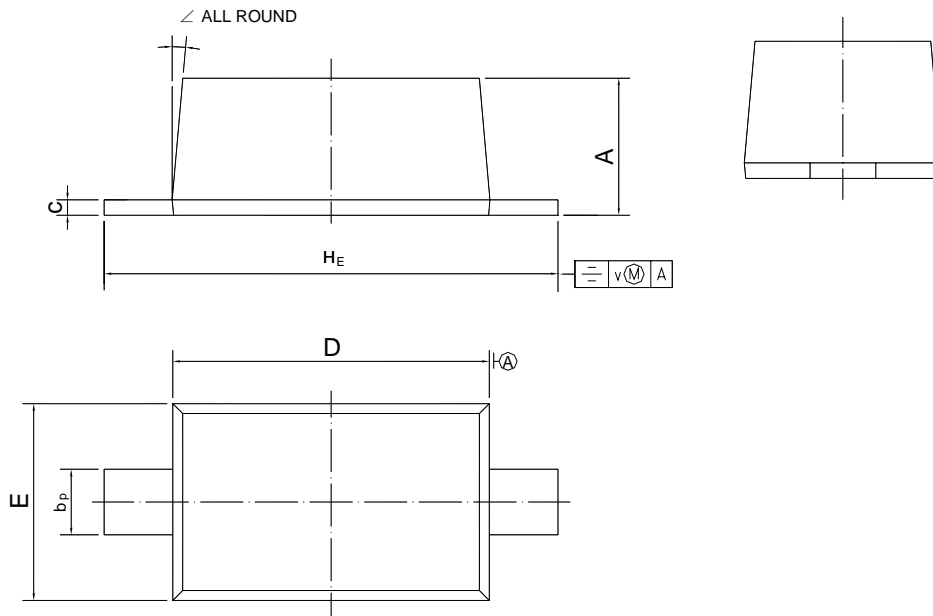
| Parameter | Symbol | Min. | Max. | Unit | |
|---|----------|-------------------------|----------|-------|------|
| Reverse Breakdown Voltage at $I_R = 1\text{ mA}$ | V_{BR} | 1N5817WB | 20 | - | |
| | | 1N5818WB | 30 | - | |
| | | 1N5819WB | 40 | - | |
| Reverse Voltage Leakage Current | I_R | at $V_R = 20\text{ V}$ | - | 1 | |
| | | at $V_R = 30\text{ V}$ | - | 1 | |
| | | at $V_R = 40\text{ V}$ | - | 1 | |
| | | at $V_R = 4\text{ V}$ | - | 0.05 | |
| | | at $V_R = 6\text{ V}$ | - | 0.075 | |
| Forward Voltage | V_F | at $I_F = 0.1\text{ A}$ | - | 0.45 | |
| | | at $I_F = 1\text{ A}$ | - | 0.45 | |
| | | 1N5818WB | - | 0.55 | |
| | | 1N5819WB | - | 0.6 | |
| | | at $I_F = 3\text{ A}$ | 1N5817WB | - | 0.75 |
| | | 1N5818WB | - | 0.875 | |
| | | 1N5819WB | - | 0.9 | |
| Diode Capacitance at $V_R = 4\text{ V}$, $f = 1\text{ MHz}$ | C_D | - | 120 | pF | |

1N5817WB-1N5819WB

PACKAGE OUTLINE

Plastic surface mounted package; 2 leads

SOD-123



| UNIT | A | b _p | c | D | E | H _E | v | ∠ |
|------|--------------|----------------|----------------|------------|--------------|----------------|-----|----|
| mm | 1.15 1.05 | 0.6 0.5 | 0.135 0.100 | 2.7 2.6 | 1.65 1.55 | 3.85 3.55 | 0.2 | 5° |